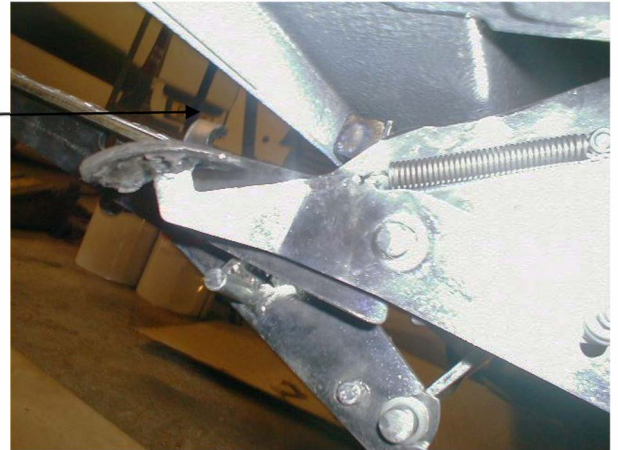
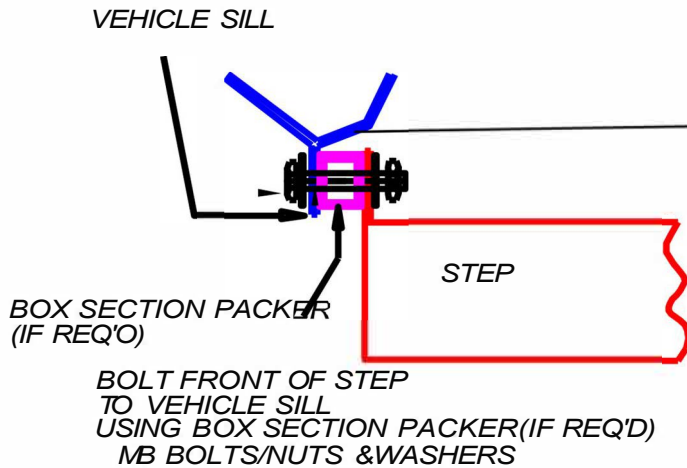
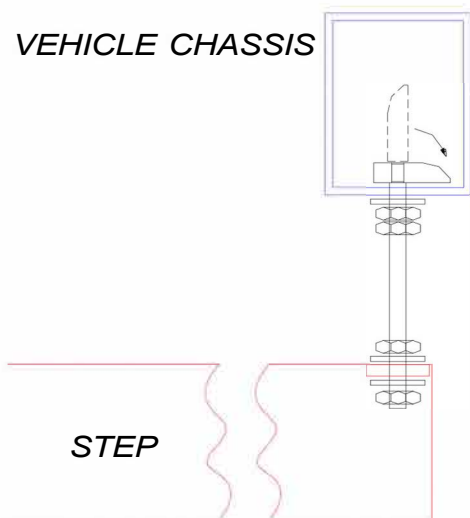


# Masai Sliding Step Fitting Guide



MAYBE NECESSARY TO DRILL 010 FIXING HOLE IN THE CHASSIS AL THOUGH PREFERRED METHOD JS TO USE EXISTING CHASSIS HOLE



LOCATE CHASSIS HOLES USING THE TOGGLE FIXINGS SECURE THE REAR OF THE STEP BY PLACING THE TOGGLE THROUGH THE CHASSIS HOLE AND ALLOWING TOGGLE TO BRACE THE HOLE SECURE THE STEP AS SHOWN.



## Masai Sliding Step Maintenance Tips

Thank you for purchasing the Masai Sliding Step.

The Masai side sliding step is manufactured to a very high standard to provide a reliable service for its users. However like all mechanical moving items, it does require simple maintenance. We recommend the following :

1. All moving parts should be washed regularly by jet wash as it is exposed to heavy road conditions. This process should be done every 4 weeks on a regular basis.
2. All moving parts should be lubricated with silicon spray at least every 4 weeks especially in winter months.
3. It is recommended that the step is protected by mud guard/flaps if it is fitted near the front wheels of a vehicle.